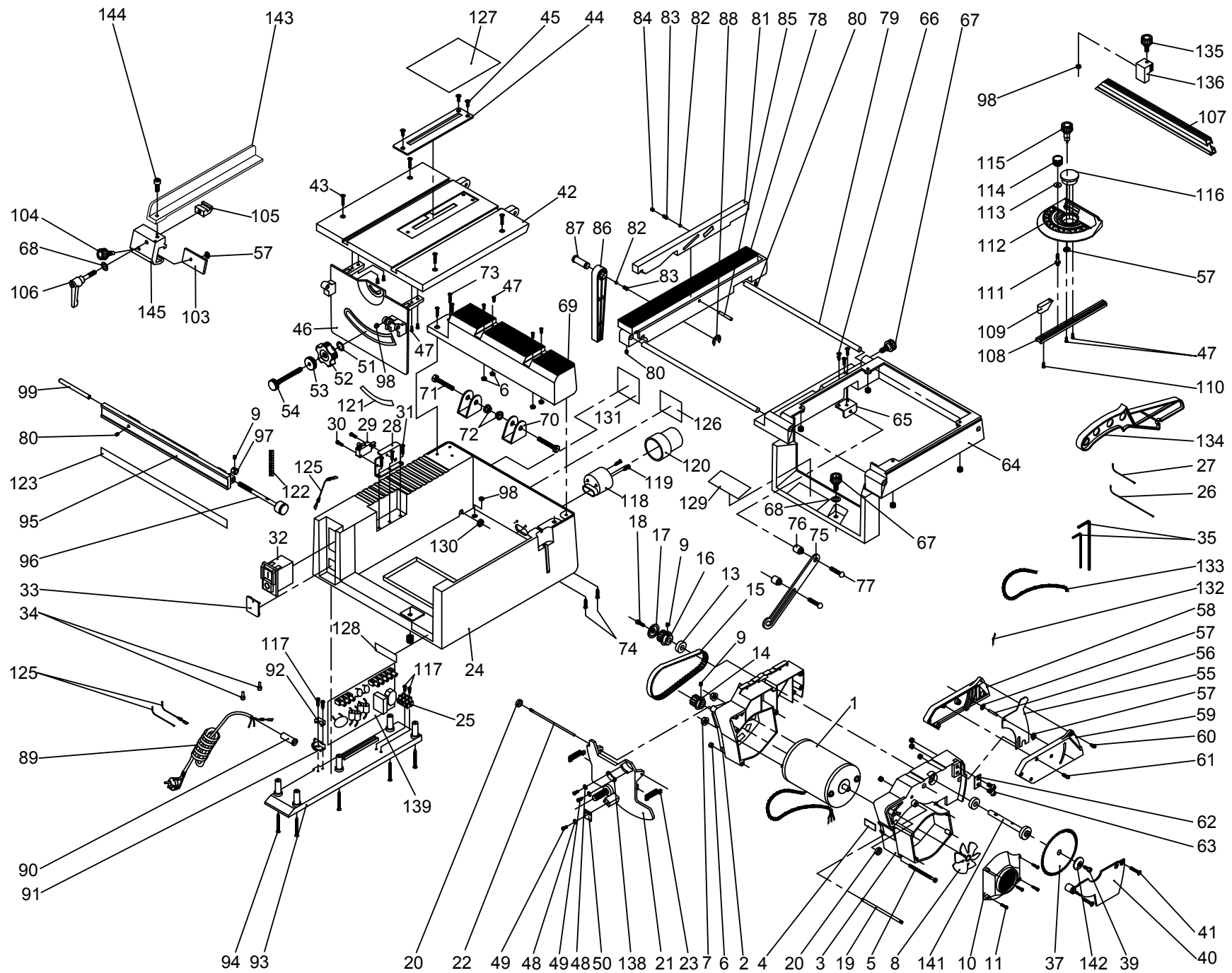


Ersatzteilbild



Spare Parts List

ET - Nr.:	Description	ET - Nr.:	Description
27070 -01	Motor	27070 -74	Screw
27070 -02	Motor Casing, small	27070 -75	Blocking lever
27070 -03	Motor Casing, big	27070 -76	Bushing
27070 -04	Stop plate	27070 -77	Screw
27070 -05	Screw	27070 -78	Extenable saw bearing
27070 -06	Nut	27070 -79	Guiding rod
27070 -07	Nut	27070 -80	Set screw
27070 -08	Fan	27070 -81	Supporting stop
27070 -09	Set screw	27070 -82	Resting ball
27070 -10	Cap	27070 -83	Compression spring
27070 -11	Screw	27070 -84	Set screw
27070 -13	Ball bearing	27070 -85	Pin
27070 -14	Pouully	27070 -86	Supporting lever
27070 -15	Toothed belt	27070 -87	Metal core
27070 -16	Pouully	27070 -88	Lock washer
27070 -17	Spacer disc	27070 -89	Cable connection
27070 -18	Screw	27070 -90	Tension relief
27070 -19	Connecting rod	27070 -91	Downer strain relief clamp
27070 -20	Distance bushing	27070 -92	Upper strain relief clamp
27070 -21	Angle adjusting plate	27070 -93	Cover
27070 -22	Axis	27070 -94	Screw
27070 -23	Extension spring	27070 -95	Ruler
27070 -24	Lower casing	27070 -96	Fine adjusting screw
27070 -25	Lustre terminal	27070 -97	Nut
27070 -26	Connecting cable	27070 -98	Nut
27070 -27	Connecting cable	27070 -99	Guiding rod
27070 -28	Holder	27070 -100	Guidin piece
27070 -29	Switch	27070 -101	Longitudinal stop
27070 -30	Screw	27070 -102	Screw
27070 -31	Screw	27070 -103	Plate
27070 -32	On-Off switch	27070 -104	Knurled nut
27070 -33	Cover	27070 -105	Clamping piece
27070 -34	Screw	27070 -106	Clamping lever
27070 -35	Allen key set	27070 -107	Stop bar
27070 -37	Saw blade	27070 -108	Guidance
27070 -39	Screw	27070 -109	Pointer
27070 -40	Cover plate	27070 -110	Screw
27070 -41	Screw	27070 -111	Set screw
27070 -42	Saw table	27070 -112	Mitre gauge
27070 -43	Screw	27070 -113	Washer
27070 -44	Cover plate	27070 -114	Knurled screw
27070 -45	Screw	27070 -115	Knurled screw
27070 -46	Front cover	27070 -116	Centering device
27070 -47	Screw	27070 -117	Screw
27070 -48	Washer	27070 -118	Connecting piece
27070 -49	Screw	27070 -119	Screw
27070 -50	Indicator	27070 -120	Rubber hose
27070 -51	Washer	27070 -121	Label "angle scale"
27070 -52	Hand wheel	27070 -122	label "fine adjustment"
27070 -53	Knurled nut	27070 -123	Label "scale"
27070 -54	Knurled screw	27070 -125	Connecting cable
27070 -55	Riving knife	27070 -126	Label "Exhaustion"
27070 -56	Pin	27070 -127	Label "Transport lock"
27070 -57	Shaft locking clip	27070 -128	Label "Proxxon"
27070 -58	Saw blade cover, left half	27070 -129	Label
27070 -59	Saw blade cover, right half	27070 -130	Grommet
27070 -60	Screw	27070 -131	Rating plate
27070 -61	Screw	27070 -132	Cable grommet
27070 -62	Plate	27070 -133	Cable grommet
27070 -63	Screw	27070 -134	Work piece pusher
27070 -64	Upper casing part	27070 -135	Knurled nut
27070 -65	Holder	27070 -136	Stop
27070 -66	Screw	27070 -137	Manual (not shown)
27070 -67	Knurled nut	27070 -138	Sheet
27070 -68	Washer	27070 -139	Board
27070 -69	Holder for upper casing part	27071 -141	Shaft
27070 -70	Hinge	27070 -142	Washer
27070 -71	Screw	27070 -143	Longitudinal stop
27070 -72	Nut	27070 -144	Screw
27070 -73	Screw	27070 -145	Clamping piece